

SF680P-HUB2



Mounting Pattern
600 x 600mm



Max Load
350lb (158kg)

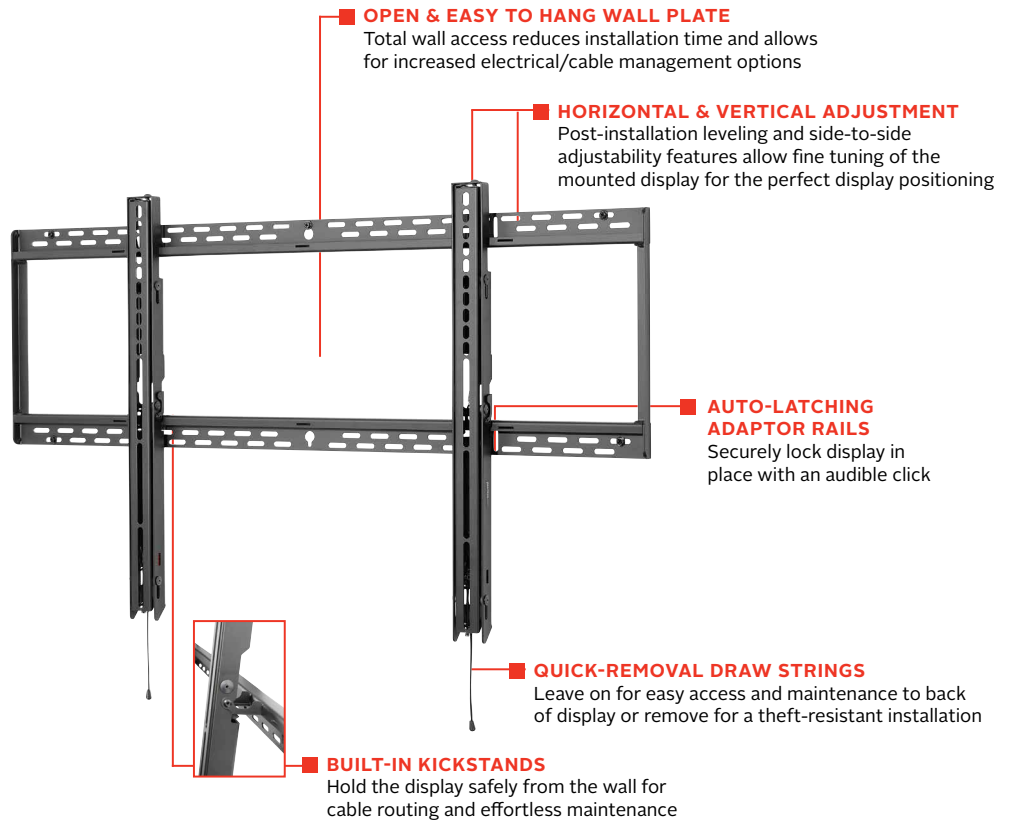
SMARTMOUNT.

Flat Wall Mount

FOR THE 85" MICROSOFT® SURFACE™ HUB 2S

Peerless-AV's SmartMount® Flat Wall Mount is designed specifically for the 85" Microsoft® Surface™ Hub 2S. Installation and maintenance are made easy with the SF680P-HUB2's robust feature set. Auto-latching adaptor rails automatically secure the display without the use of a tool. The mount's built-in kickstand holds the display safely from the wall during cable routing, while the open wall plate allows for increased electrical and cable management options. Horizontal and vertical display adjustment allow for quick fine-tuning of the mounted display. The included spacers and custom length bolts provide proper clearance around the 85" Surface Hub 2S compute module.

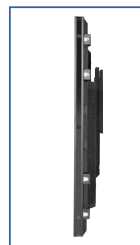
- Specifically designed for the 85" Microsoft® Surface™ Hub 2S
- Product complies with the Microsoft® Site Readiness Guide and is certified through Microsoft®
- Accommodates the 600 x 600mm VESA® mounting pattern of the 85" Microsoft® Surface™ Hub 2S
- Low-profile design holds display only 1.73" (44mm) from the wall
- Easy hang wall plate allows a bolt to be pre-installed to ease wall plate installation
- Lateral display adjustment up to 19.25" (489mm)
- 1" of post-installation vertical adjustment provides flexibility after installation
- Includes custom length screws and spacers for the 85" Microsoft® Surface™ Hub 2S



RoHS



TAA COMPLIANT



Low-profile design for a sleek, yet compact installation



Includes spacer and hardware for 85" Microsoft® Surface™ Hub 2S

Please visit peerless-av.com/en-us/patents for patent information.

SF680P-HUB2 SmartMount® Flat Wall Mount for the 85" Microsoft® Surface™ Hub 2S

Product Specifications

	DIMENSIONS (W x H x D)	PRODUCT WEIGHT	LOAD CAPACITY	FINISH	AVAILABLE COLORS
SF680P-HUB2	45.75" x 27.48" x 1.73" (1162 x 698 x 44mm)	17.4lb (7.9kg)	350lb (158kg)	Scratch Resistant Fused Epoxy	Semi-Gloss Black

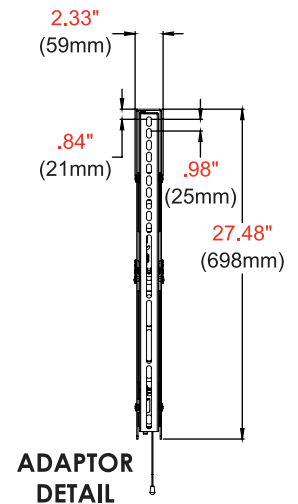
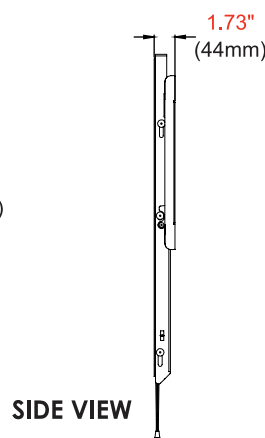
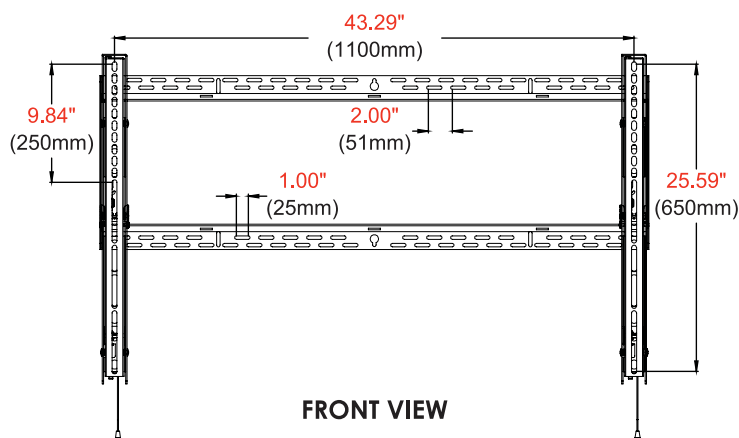
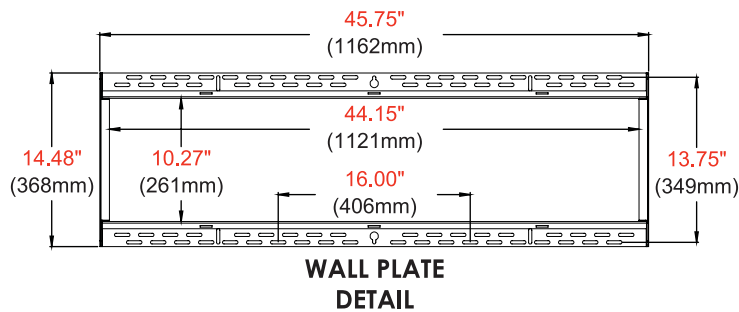
Package Specifications

	PACKAGE SIZE (W x H x D)	PACKAGE SHIP WEIGHT	PACKAGE UPC CODE	PACKAGE CONTENTS	UNITS IN PACKAGE
SF680P-HUB2	46.70" x 2.30" x 15.40" (1185 x 58 x 390mm)	20.4lb (9.3kg)	735029343844	Wall Mount, Wall Mount Hardware, Spacers, Screws and Lock Washers for the 85" Microsoft® Surface™ Hub 2S, Installation Instructions	1

Accessories

- ACC615:** 6-pack Metal Stud Fastener Kit
- ACC309:** Video Conference Shelf
- ACC-UCM:** Universal AV Component Mount
- ESHV models:** AV Wall Shelves
- IBA4-W:** Easy Mount Recessed Low Voltage Cable Plate

All dimensions = inch (mm)



Architect Specifications

The SmartMount® Flat Wall Mount for the 85" Microsoft® Surface™ Hub 2S shall be a Peerless-AV model SF680P-HUB2 and shall be located where indicated on the plans. Assembly and installation shall be done according to instructions provided by the manufacturer.

Visit peerless-av.com to see the complete line of AV solutions from Peerless-AV, including outdoor displays, kiosks, display mounts, projector mounts, carts/stands, and a full assortment of accessories.

Peerless-AV
2300 White Oak Circle
Aurora, IL 60502 USA
(800) 865-2112
(630) 375-5100
Fax: (800) 359-6500

Peerless-AV EMEA
Unit 3 Watford Interchange
Colonial Way, Watford
Herts, WD24 4WP
United Kingdom
+44 (0) 1923 200100
Fax: +44 (0) 1923 200101

Peerless-AV Latin America
Av. de las Industrias 413
Parque Industrial Escobedo
General Escobedo, N.L.,
México, 66062
+52 (81) 8384-8300
Fax: +52 (81) 8384-8360

